

EnginSoft is a premier consulting firm in the field of Simulation Based Engineering Science (SBES) with a global presence. It was founded in 1984, but its founder and initial employees had been working in SBES since the mid '70s. Throughout its long history it has been at the forefront of technological innovation and remains a catalyst for change in the way SBES and CAE technologies in general are applied to solve even the most complex industrial problems with a high degree of reliability.

Today, EnginSoft is comprised of groups of highly qualified engineers, with expertise in a variety of engineering simulation technologies including FEM Analysis and CFD, working in synergic companies across the globe. We are present in Italy, France, Germany, the UK, Sweden, Turkey and the U.S.A. and have a close partnership with synergetic companies located in Greece, Spain, Israel, Portugal, Brazil, Japan and the U.S.A.

EnginSoft works across a broad range of industries that include the automotive, aerospace, defense, energy, civil engineering, consumer goods and biomechanics industries to help them get the most out of existing engineering simulation technologies.



-  **ITALY**
+39 0461 9153 91
-  **FRANCE**
+39 0461 9153 91
-  **GERMANY**
+49 2234 60386 10
-  **UNITED KINGDOM**
+44 2476 9971 60
-  **NORDIC EUROPE**
+46 46 286 89 00
-  **TURKEY**
+90 216 504 11 53
-  **USA**
+1 469 912 0504



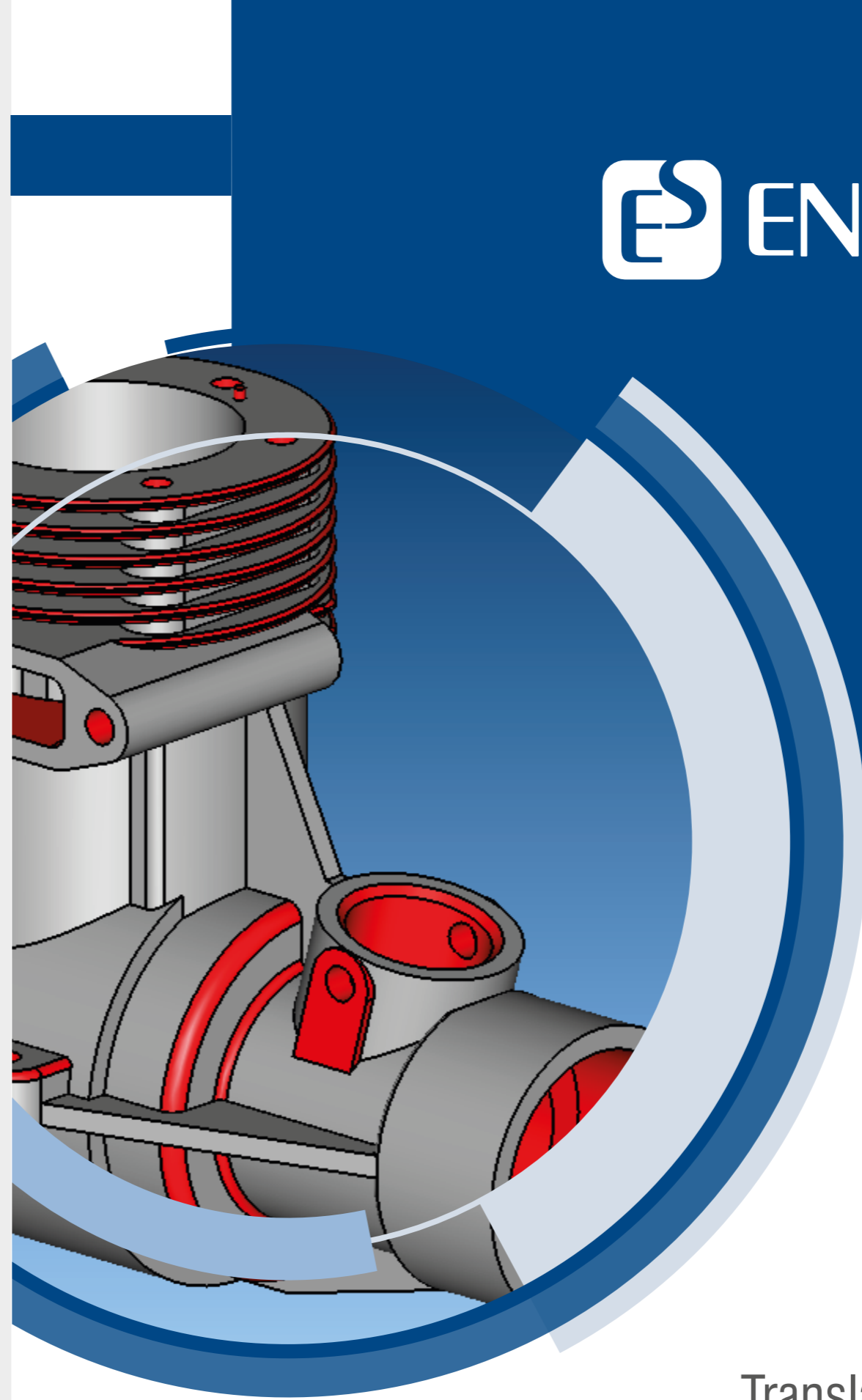
www.enginsoft.com | info@enginsoft.com



DATA SHEET

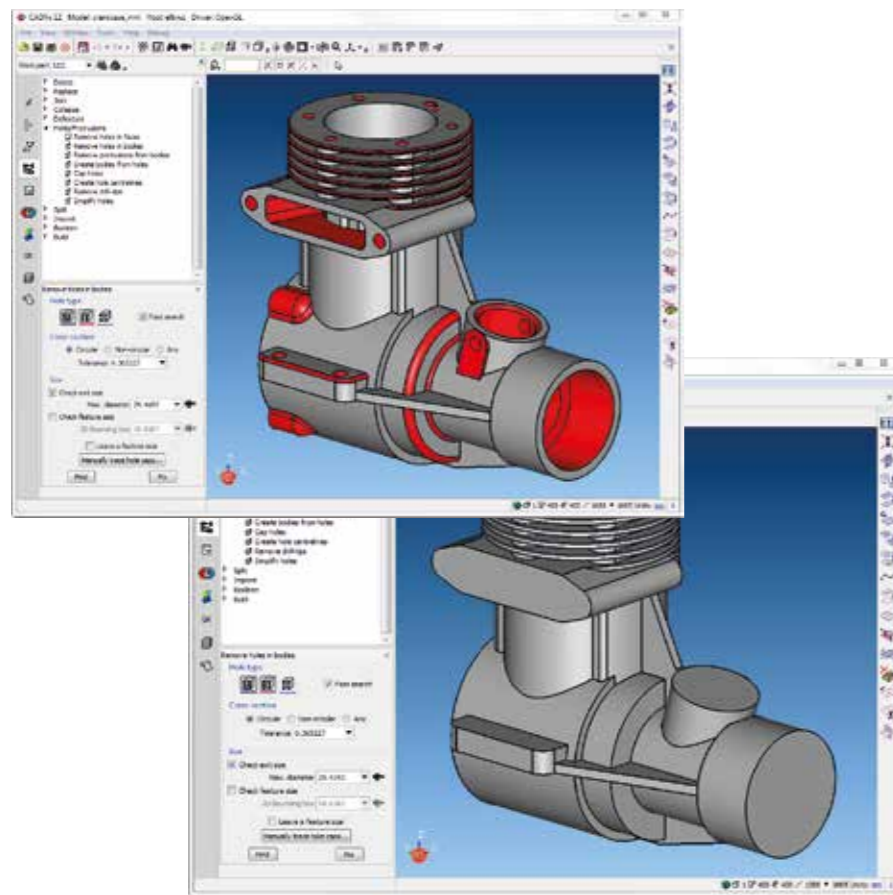
CADfix

Translate, repair and simplify
CAD models for CAD, CAM, CAE and VR

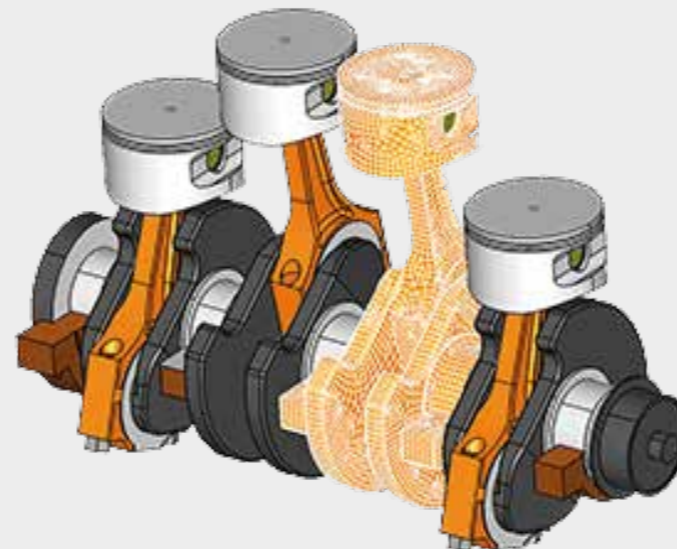
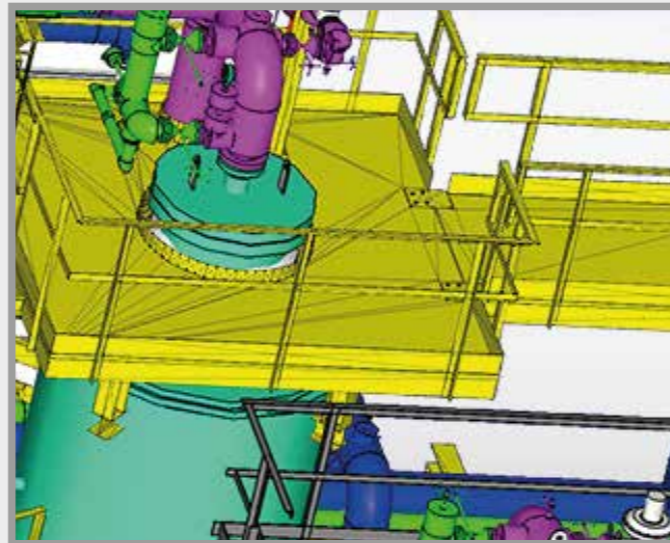
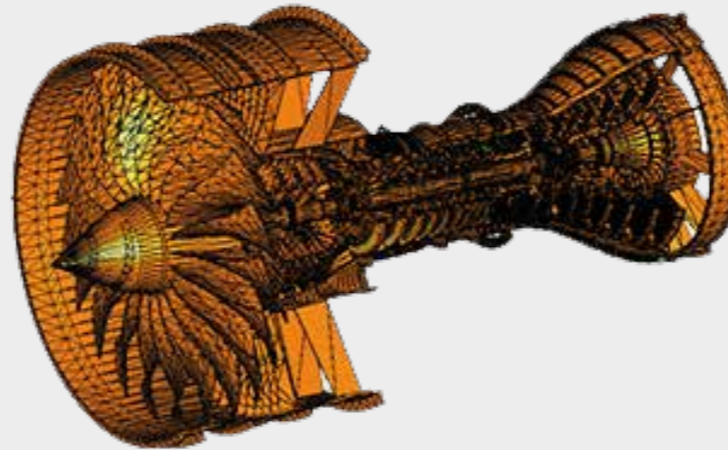


CADfix removes the barriers that prevent the effective reuse of solid models. By providing an extensive set of geometry processing tools for importing, repairing, simplifying and exporting data, CADfix maximizes the reuse of CAD data in downstream CAD, CAM, CAE and VR applications.

By detecting and repairing a range of CAD geometry issues, the user-friendly CADfix Wizard interface ensures that models are correctly defined and suitably flavored for use in downstream systems.



Cadfix is a product

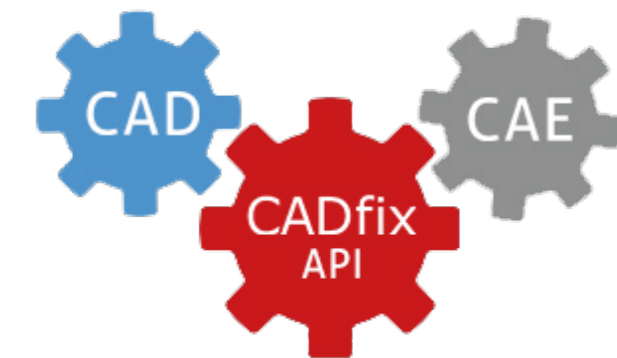


Translate, repair and simplify CAD models for CAD, CAM, CAE and VR

CADfix Features

- ✓ Import and export interfaces for multiple CAD formats, solid modeling kernels and data exchange standards
- ✓ Advanced healing and repair to correct geometric and topological errors in CAD models
- ✓ Comprehensive simplification and de-features to prepare models for analysis
- ✓ Automatic wizard, batch and diagnostic-driven modes for automatic and interactive functionality

CADfix is packaged as a desktop or server solution, with extensible modular functionality dependent upon the end user's geometry processing requirements. The application can be integrated into PLM or workflow automation tools. CADfix also serves as a geometry pre-processor for proprietary CAE-centric OEM applications.



Before CADfix, our team was spending valuable time translating and repairing customer models. With CADfix we've eliminated expensive model rework. Now we can focus on better servicing our customer needs and project deliverables.

Ryan Holden
Millbrook Group