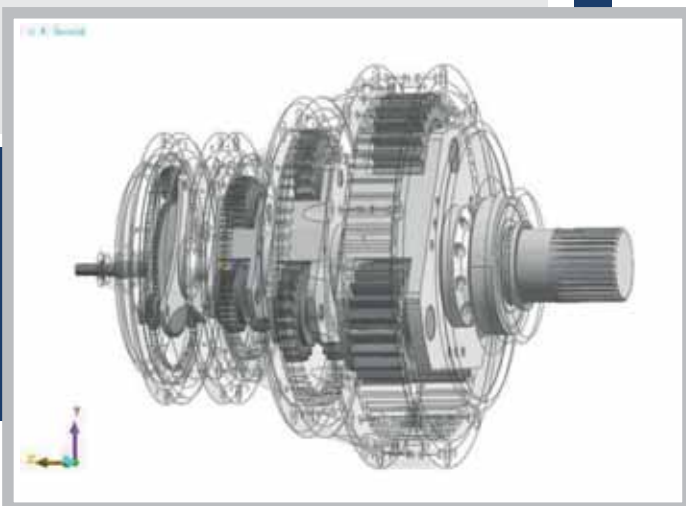
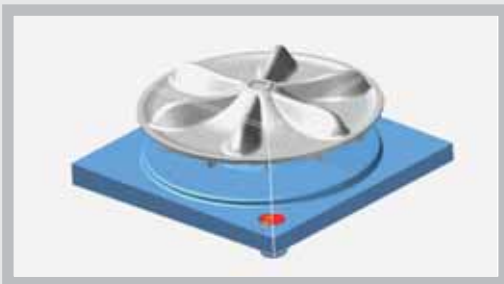


Professional Multi-Body Dynamics Simulation Software

RecurDyn is a Computer Aided Engineering (CAE) software focused on Multibody Dynamics (MBD), with extended multiphysics capabilities.

RecurDyn combines the power of an optimized recursive solver with superior contact technology, providing best-in-class simulation performances.

The effectiveness of RecurDyn really comes out when approaching large-scale multibody models, including multiple contacts and flexible bodies.



Along with the powerful solver, RecurDyn features a natural Windows-based User Interface which is intuitive and easy to use, as well as a custom application development environment which enables users to automate complicated and/or tedious tasks.

RecurDyn Analysis Options

- ✓ Rigid and Flexible Multibody Dynamic Analysis
- ✓ Kinematic Analysis
- ✓ Static Analysis
- ✓ Design Studies and Design of Experiments
- ✓ Sensitivity Analysis
- ✓ Vibration (Linear) Analysis

Interdisciplinary

RecurDyn features Interdisciplinary modules which allow you to:

- ✓ Model flexible bodies within your system using Finite Element Analysis (FEA)
- ✓ Particle Dynamics Simulation with Discrete Element Method (DEM)

Communicators

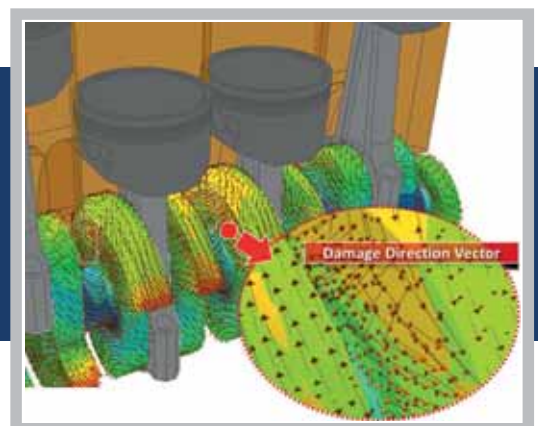
RecurDyn has Communicator modules which allow it to interface with other softwares. This allows:

- ✓ Cosimulation with control systems in Matlab/Simulink
- ✓ Cosimulation with fluid dynamics in Prometech Particle Works (only MBD software with such capability)
- ✓ Importing/exporting geometry from various Computer Aided Design (CAD) systems

Toolkits

RecurDyn features Toolkits which are optimized for various applications across many industries. These include:

- ✓ Media transport systems
- ✓ Machinery
- ✓ Systems with chains, belts, and gears
- ✓ Tracked vehicles such as construction and agricultural equipment, as well as military vehicles.





EnginSoft Group

ITALY

Phone: +39 0461 915391

FRANCE

Phone: +33 1 41 22 99 30

GERMANY

Phone: +49 69 3487742-10

UNITED KINGDOM

Phone: +44 2476 997160

NORDIC EUROPE

Phone: +46 46 286 89 00

TURKEY

Phone: +90 216 504 11 53

USA

Phone: +1 650 521 0243

About EnginSoft

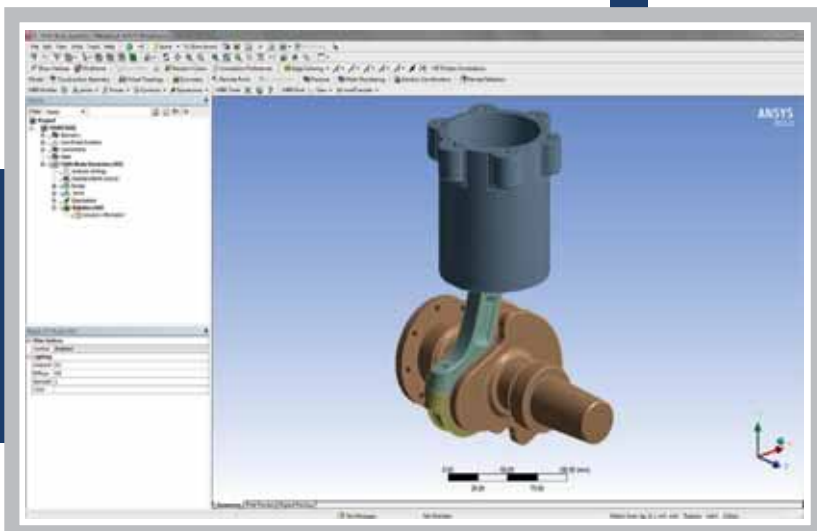
EnginSoft is an engineering consultancy company with specific expertise in Process Simulation and Optimisation, specialized in engineering analysis supporting the whole design chain. We are dedicated to help companies to improve competitiveness and reliability in product and process development with particular capability in management of 3D tolerances of complex assemblies.

EnginSoft can help you to understand the full implications of your part dimensions for your 3D assembly performance, ensuring robust "right first time" design.

For more information visit
www.enginsoft.com

Powered by **RECURDYN**

Recurdyn is a product of



www.enginsoft.com

info@enginsoft.com